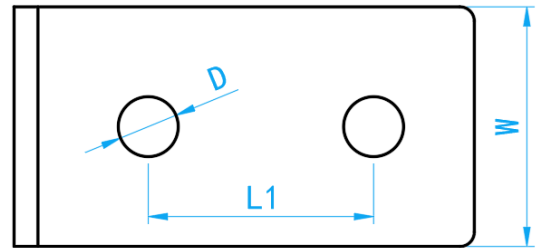
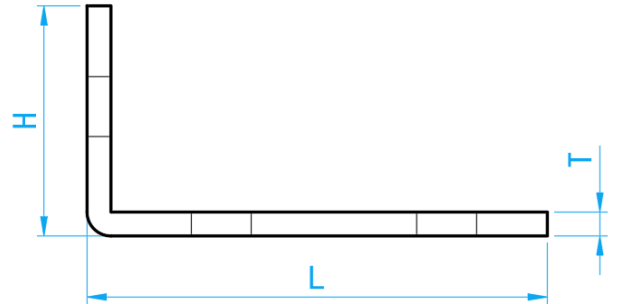
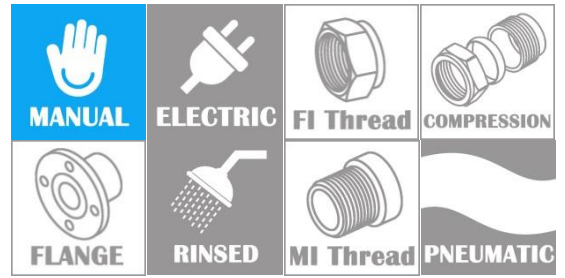
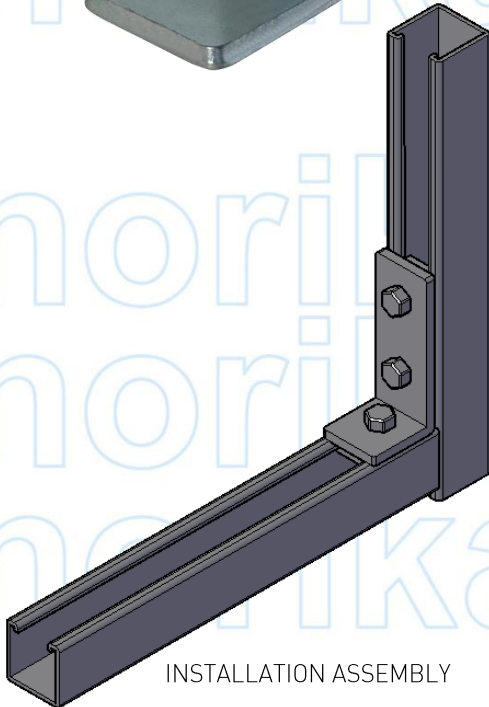


# UNISTRUT 90° MOUNTING BRACKET



SIDE VIEW



INSTALLATION ASSEMBLY

COMPONENT PARTS

MATERIAL	Mild Steel
COATING	Cold Galvanized

DIMENSIONS

SKU	L (mm)	L1 (mm)	H (mm)	W (mm)	D (mm)	T (mm)	WEIGHT (kg)	PCS/CTN
OLSBA090	96	47	48	40	12.5	5	0.192	100